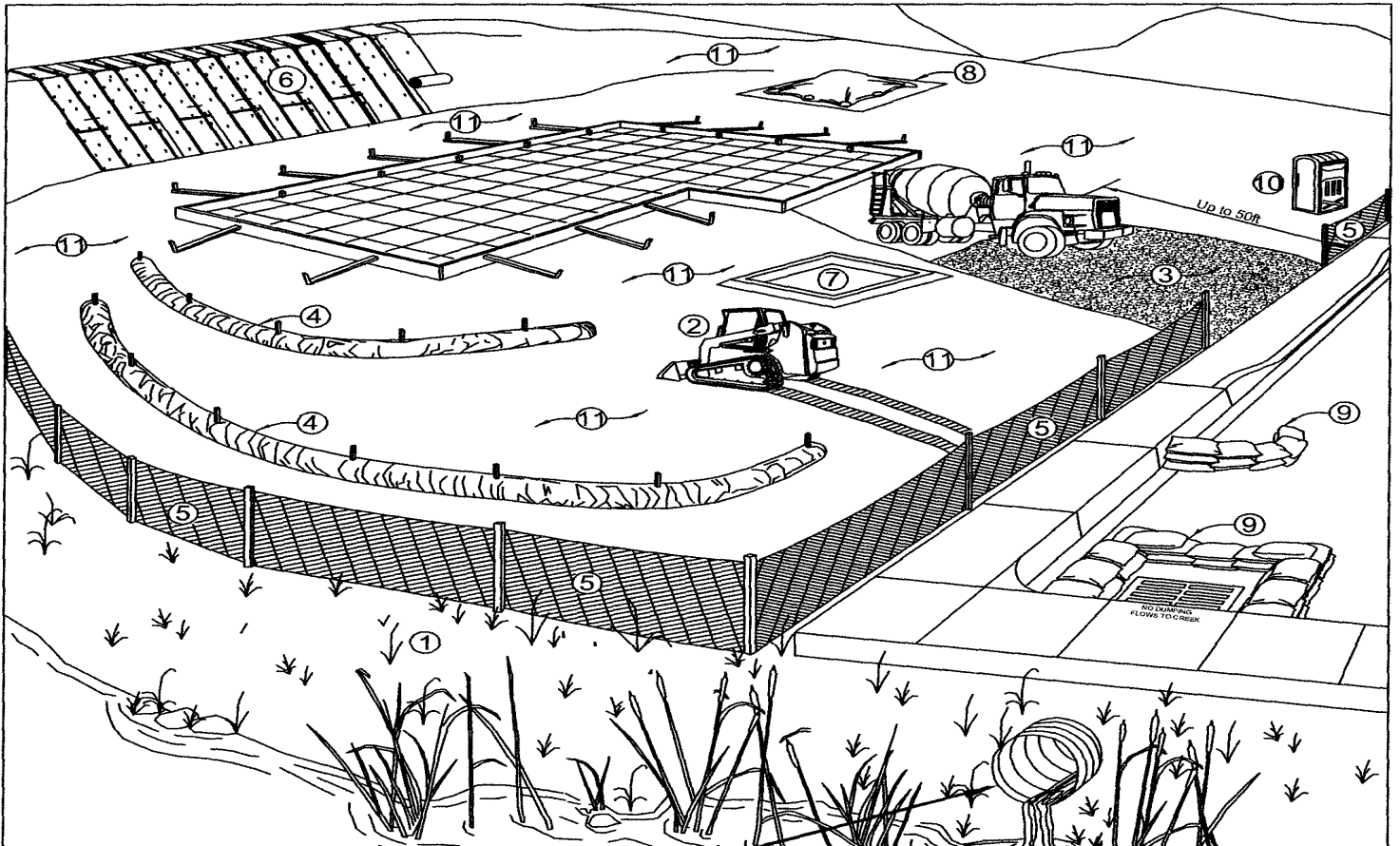


MINIMUM EROSION CONTROL MEASURES FOR SINGLE FAMILY HOME CONSTRUCTION



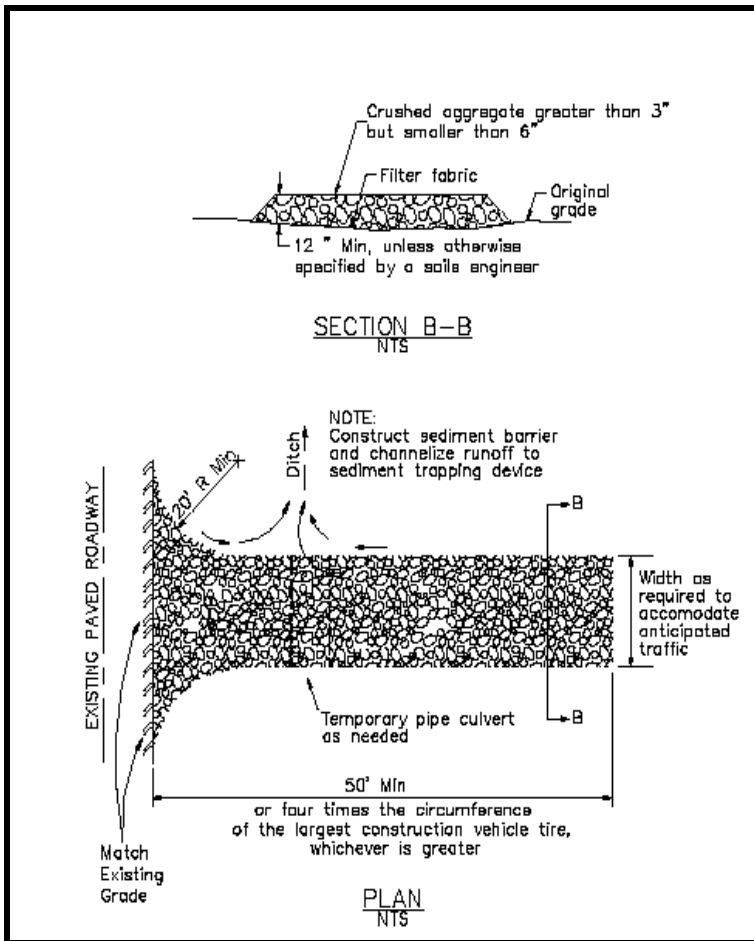
Storm Drains Lead Directly into Clear Lake or its tributaries.

MINIMUM BEST MANAGEMENT PRACTICES (BMPs)

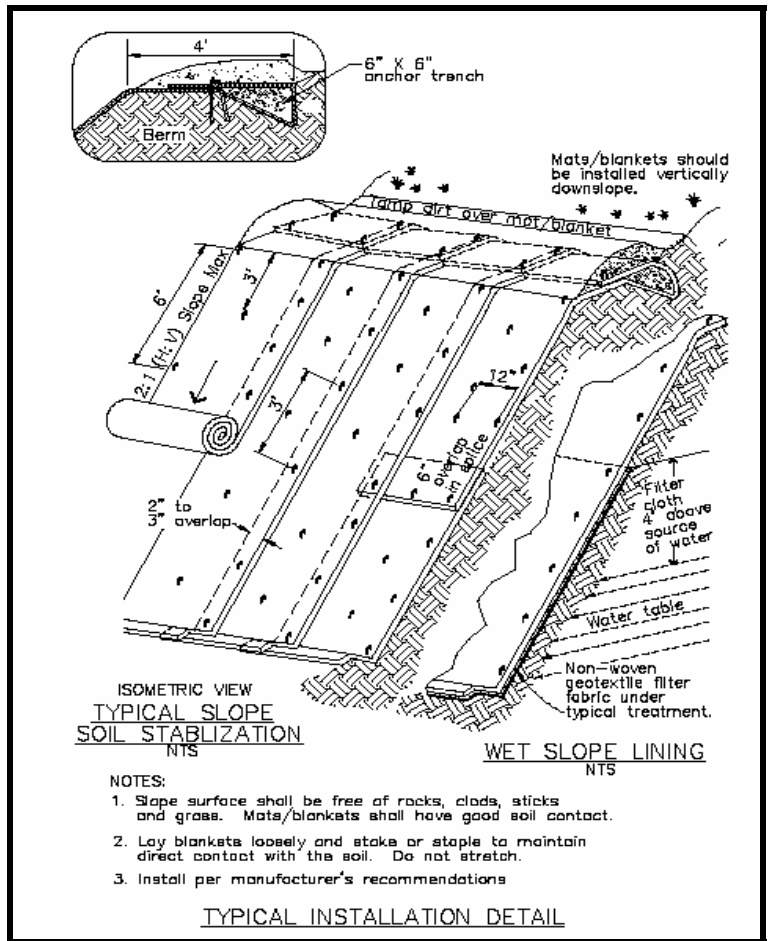
- 1 Check with Lake County Planning Department for creek setback requirements.
- 2 During grading phase, track-walk up and down slopes, not parallel.
- 3 Stabilize site entrance and temporary driveways with 3" crushed rock up to 50' in length to prevent tracking soil from site.
- 4 Install straw wattles along contours when slope \geq 2:1 gradient; key wattles into ground 3" deep, 25' to 50' apart.
- 5 Install silt fence as secondary measure along contours to keep sediment on-site and to minimize vehicle and foot traffic beyond limits of site disturbance.
- 6 Install erosion blankets on any disturbed area \geq 2:1 slope.
- 7 Construct concrete washout site adjacent to stabilized entrance. Clean as needed and remove at end of project. Dispose of hardened concrete properly.
- 8 Cover all stockpiles and landscape materials; keep behind silt fence, and away from water bodies.
- 9 Use pea-gravel bags around drain-inlets, both on-site and off-site as a last line of defense.
- 10 Place porta-potty near stabilized site entrance and away from storm drain inlets and water bodies.
- 11 Cover all exposed soil with straw or straw with tackifier.

Note: Sediment and erosion control shall be continually maintained throughout the year (not only during the rainy season) and to remain effective during construction phase. Continue inspection and maintenance of BMPs before and after rain events; adjust as needed for changing conditions.

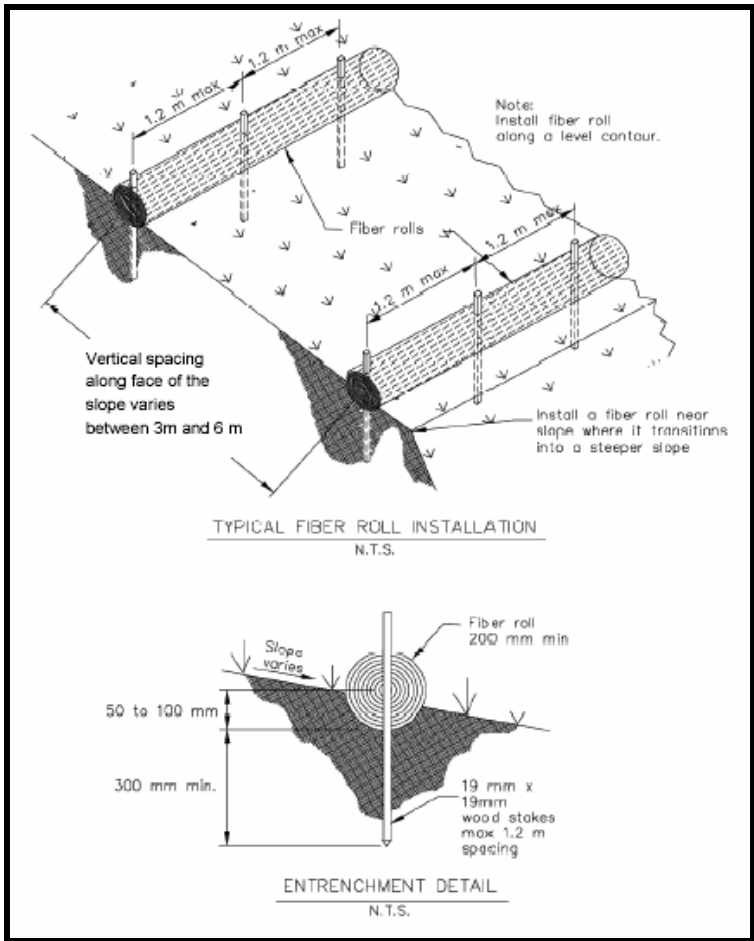




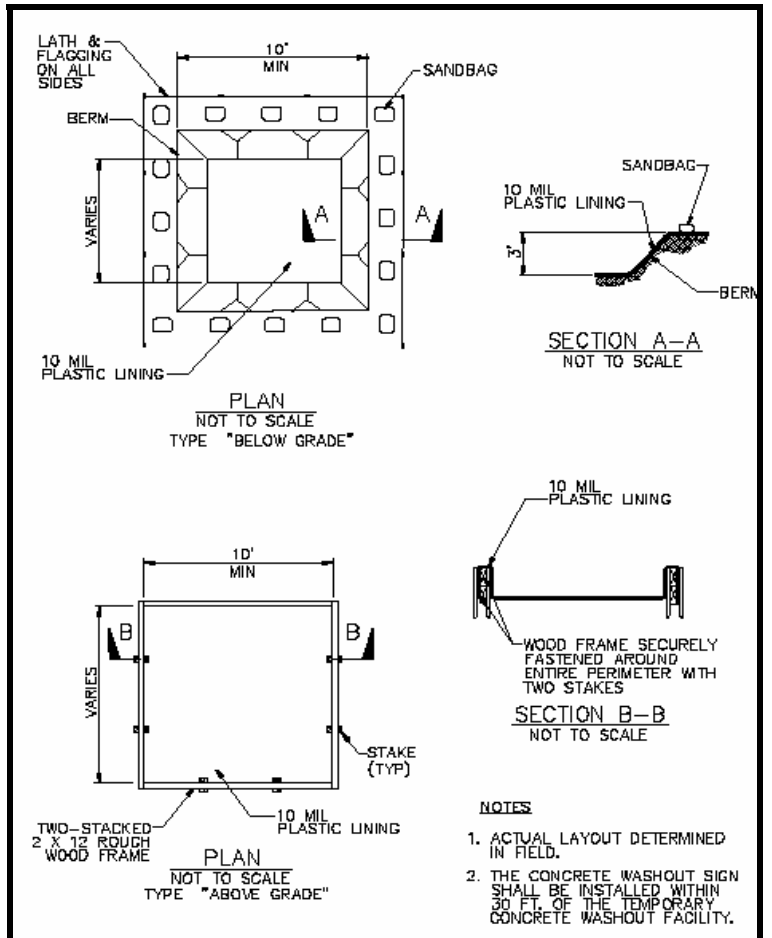
Stabilized Construction Entrance



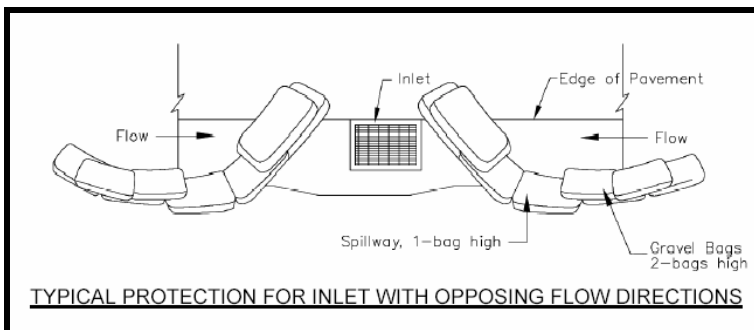
Erosion Blanket



Fiber Rolls (Wattles)



Concrete Washout



Drop Inlet Protection

For additional information contact:

County of Lake
Community Development 263-2382
Public Works Department 263-2341

City of Lakeport 263-5613
City of Clearlake 994-8201

Or visit: www.cabmphandbooks.com